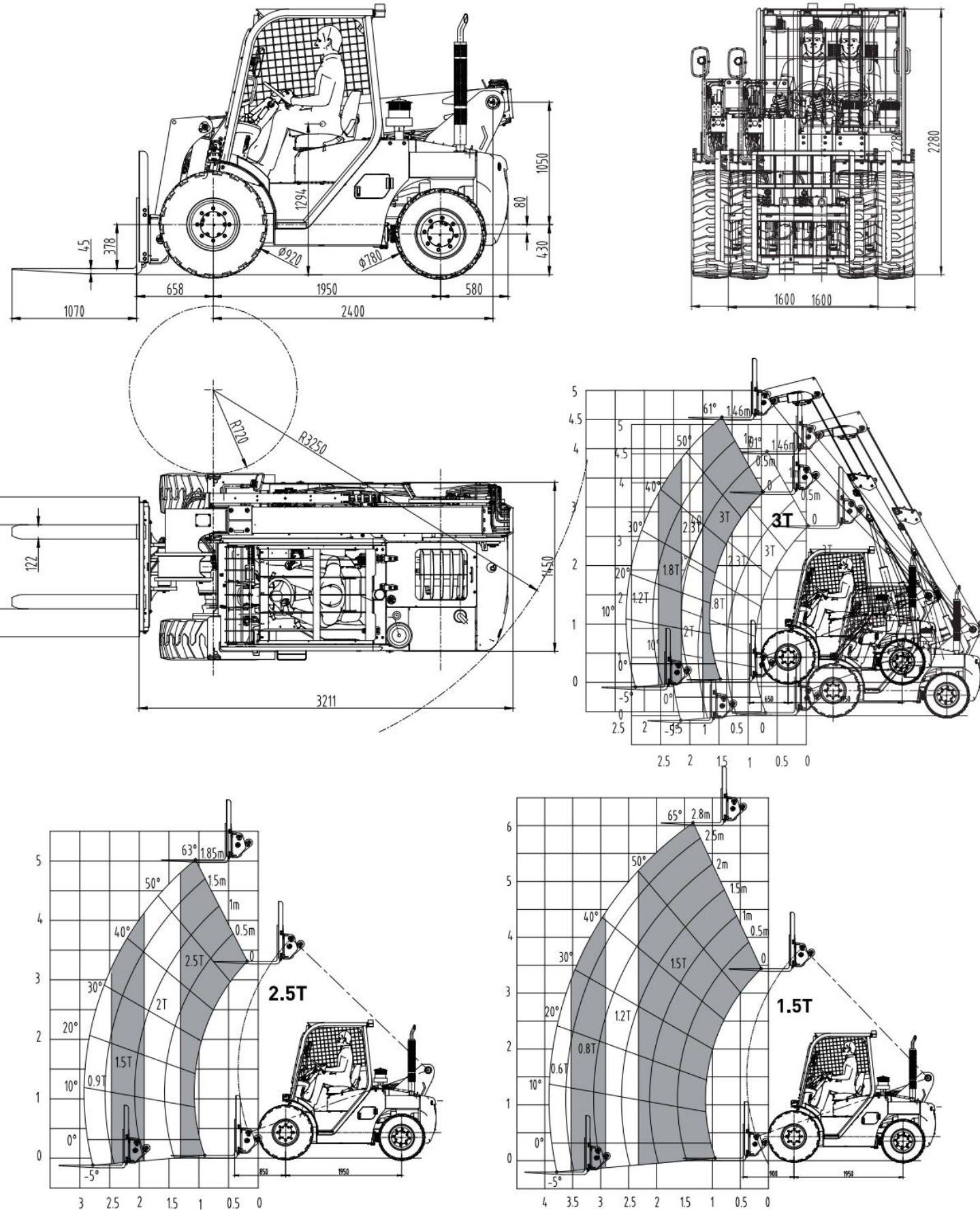


LINE GRAPH



NOBLELIFT Telescopic Handler Parameters and Design Characteristics

Characteristics

Manufacturer	NOBLELIFT			
	Model	FTH30N-45YM 4WD	FTH25N-50YM 4WD	FTH25N-60YM 4WD
Max.Load Capacity	kg	3000	2500	2500
Lift Capacity at Maximum Reach	kg	1200	900	600
Max. Forward Reach	m	2.3	2.9	3.9
Max. Lift Height	mm	4500	5000	6000
Load Center	mm	500	500	500
Front wheel outer diameter	mm	920	920	920
Gradeability (Laden)	%	45	45	45
Max. traction	KN	36	36	36
No. of Boom Sections	n	2	2	3
Max. Travel Speed	km/h	18	18	18
Optional Attachment		Bucket	Bucket	Bucket
Bucket discharge height	mm	/	3500	4100
Front Tire Reach	mm	200	400	400
Overall Weight	kg	5400	5500	5600

Dimensions

Overall Length(without fork)	mm	3300	3500	3550
Overall Width	mm	1600	1600	1600
Overall Height	mm	2280	2280	2280
Wheelbase	mm	1950	1950	1950
Ground Clearance	mm	245	245	245
Front Track	mm	1250	1250	1250
Cab Width	mm	960	960	960
Outside Turning Radius	mm	3250	3250	3250
Outrigger Width (Retracted)	mm	5500	5700	5800
Fork Size	mm	1220x122x45	1220x122x40	1220x122x40
Max Fork Width	mm	1036	1036	1036
Rear Overhang	mm	600	600	600

Performance

Boom pitch angle	deg	61-5	63-5	65-5
Fork pitch angle	deg	12/74	30/100	30/100
Boom lift speed	s	8	8	9
Boom down speed	s	6	6	6
Boom extension speed	s	7	8	7
Boom retraction speed	s	5	6	5
Fork tilt speed	s	4	5	5
Fork retraction speed	s	2.5	3.3	3.3
Indoor noise	dB	95	95	95
outdoor noise	dB	102	102	102
Lifting speed (Laden/ Unladen)	mm/s	450	450	450
Lowering speed (Laden/ Unladen)	mm/s	540	540	540



Model: 4TNE98(EU/III/EPA/III)
Rated Output: 42.1/2300kw/r.p.m
Rated Torque: 196.3/1700N.m/r.p.m
No. of cylinder: 4
Bore*Stroke: 98*110mm
Displacement: 3.318L



Model: L4CRTV4(EuV+Tier 4)
Rated Output: 42/2300kw/r.p.m
Rated Torque: 208/1600N.m/r.p.m
No. of cylinder: 4
Bore*Stroke: 88*103mm
Displacement: 2505cc

NOBLELIFT CHINA

Add:528 Changzhou Road, Taihu Sub-district, Changxing, Zhejiang 313100 China
Tel:86-572-6210817 6210311
Fax:86-572-6210777 6128612
Email: info@noblelift.com
Http: www.noblelift.com www.noblelift.cn



Official website



Our Wechat

NOBLELIFT

Compact Telehandler



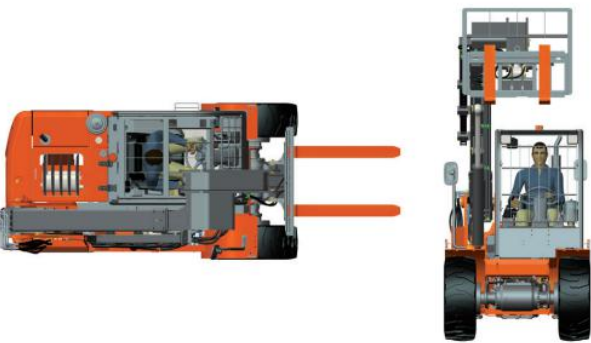
www.noblelift.com

NEW *Noblelift Products*
ARRIVAL



Stability & Reliability

- Taking advantage of rough terrain forklift platform, it is equipped with Japanese Yanmar and Korea LS EU V & EPA stage IV diesel engine, 2WD & 4WD hydraulic transmission, power train system, which has been widely recognized by market over 10 years
- high-intensity chassis & HG70 steel boom ensure longer service life
- Reliable hydraulic brand in China, and hoses connector adopts 24 degrees cone
- Tri-Channel cooling system ensures good thermal equilibrium performance



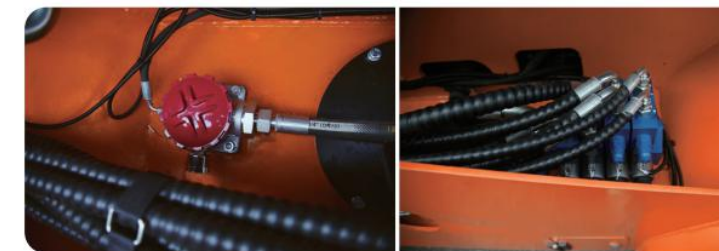
Ergonomic

- Longer steering column, user-friendly interface with optimized operation space
- Dual rear & wide angel view mirrors enhance wide visibility.
- Isolated overhead guard helps to reduce vibration
- Full-closed front tilt cab available to install
- Suspension seat, hand brake with self-lock;



Safety

- Excellent self-leveling system with the carriage and forks tilt angel within $\pm 0.5^\circ$ ensuring the safety of goods during lifting process
- Anti-rollover protection system improves operation safety
- OPS function as standard set
- Proportional solenoid valves allow high accuracy and safety
- Cylinder equipped with balance valve, remaining the good on forks in case hydraulic hose burst occurs.



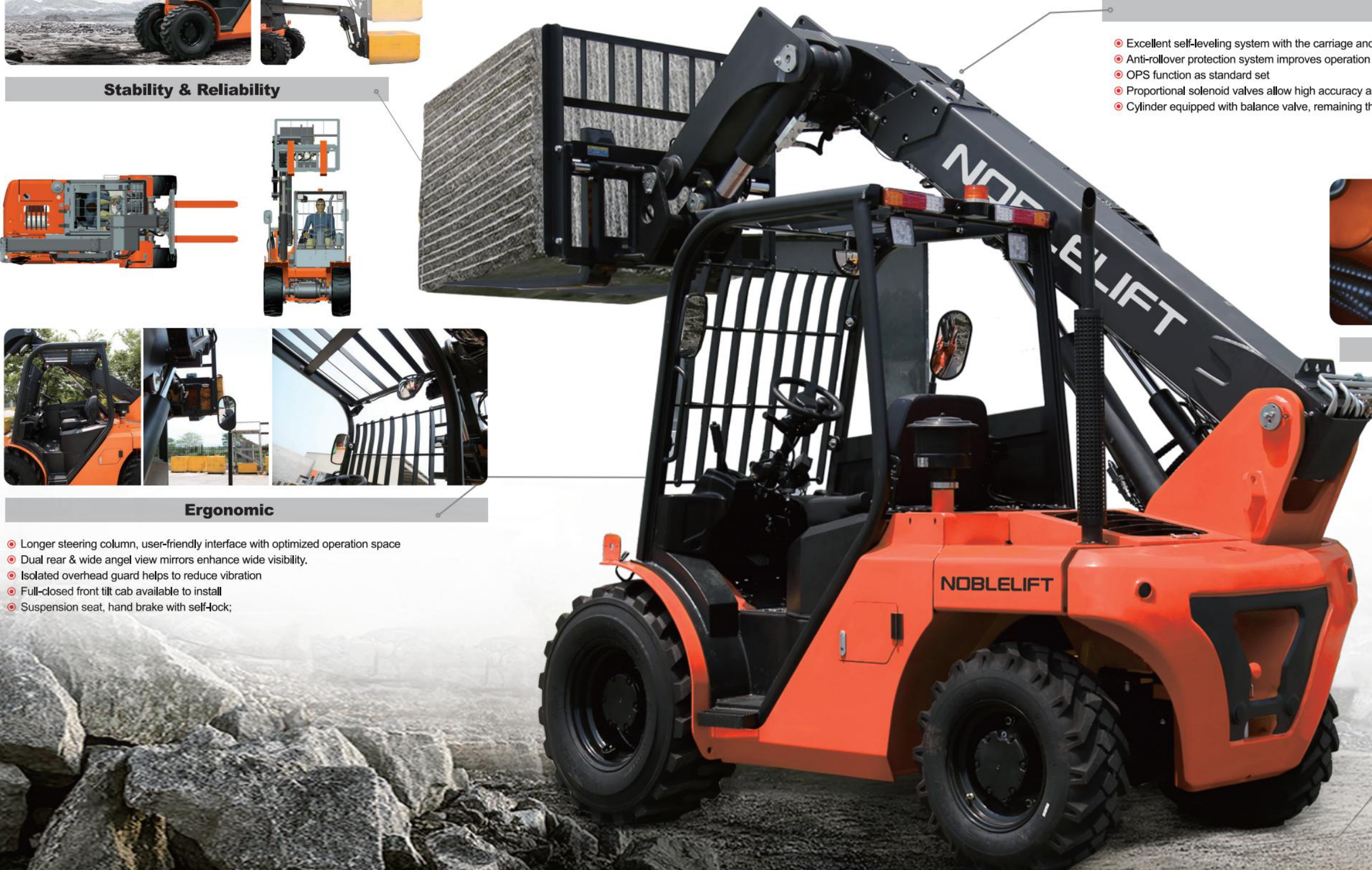
Easy maintenance

- Boom adopts easy-maintenance external towline pipe
- Engine hoods with large open angel, and tilt cab is easier for maintenance.



Efficiency

- Main specifications meet major EU & American brand standard to ensure high work efficiency
- Specialized rear drive axle with large steering angel, and small turning radius(3250mm) allows working in narrow space.
- High ground clearance capable for rough terrain work conditions.



Multi-function



fixed platform



fork



4-IN-1 BUCKET



loading bucket



straight crane jib